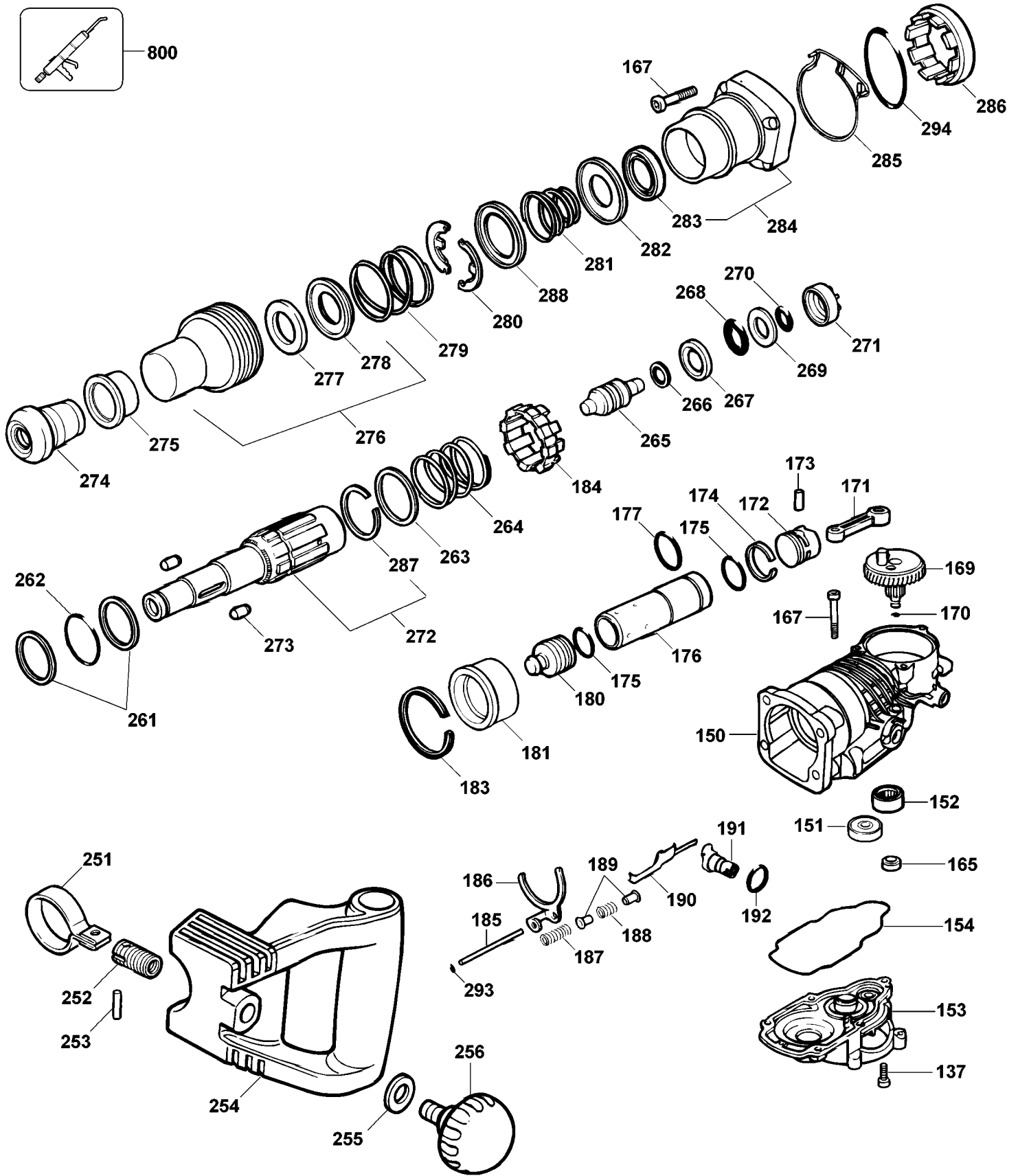


800



Parts List for D25830K Type 1

| Item Number | Part Number | Description | Qty Required |
|-------------|-------------|-----------------|--------------|
| 101 | 580383-03 | ARMATURE | 1 |
| 102 | 327430-05 | FIELD | 1 |
| 103 | 581070-00 | SWITCH | 1 |
| 104 | 582620-00 | BRUSH SET | 1 |
| 106 | 36495-98 | CORD/15FT./16-3 | 1 |
| 107 | 582574-02 | ELECTRONIC | 1 |
| 109 | 323635-43 | LEAD | 1 |
| 112 | 323091-01 | PROTECTOR,CORD | 1 |
| 113 | 821070 | CORD CLAMP | 1 |
| 114 | 330065-08 | SCREW | 18 |
| 115 | 577716-00 | CABLE GUIDE | 1 |
| 118 | 577712-00 | HANDLE COVER | 1 |
| 120 | 327325-00 | TRIGGER,LOCK-ON | 1 |
| 123 | 492073-00 | BAFFLE | 1 |
| 124 | 330065-11 | SCREW | 2 |
| 125 | 582577-00 | FIELD CASE | 1 |
| 126 | 577745-00 | BALL BEARING | 1 |
| 127 | 325279-00 | SLEEVE | 1 |
| 129 | 577736-00 | FAN | 1 |
| 130 | 324119-02 | SCREW | 1 |
| 131 | 326579-00 | SHUTTER | 2 |
| 133 | 326667-00 | SPRING,BRUSH | 2 |
| 134 | 326933-01 | HOLDER,CHOKE | 2 |
| 136 | 324007-11 | SCREW | 8 |
| 137 | 324007-11 | SCREW | 4 |
| 138 | 323635-42 | LEAD | 1 |
| 139 | 326048-00 | CONNECTOR | 1 |

Parts List for D25830K Type 1

| Item Number | Part Number | Description | Qty Required |
|-------------|-------------|----------------|--------------|
| 140 | 326619-00 | SCREW | 1 |
| 150 | 581914-02 | GEARCASE | 1 |
| 151 | 577745-01 | BALL BEARING | 1 |
| 152 | 330004-33 | BEARING,NEEDLE | 1 |
| 153 | 578486-01 | GEARCASE COVER | 1 |
| 154 | 325936-00 | SEAL | 1 |
| 165 | 327141-05 | SEAL | 1 |
| 167 | 918825-02 | SCREW | 6 |
| 169 | 582431-00 | CRANKSHAFT | 1 |
| 170 | 323711-26 | RING,O | 1 |
| 171 | 325002-00 | ROD,CONNECTING | 1 |
| 172 | 488669-00 | PISTON | 1 |
| 173 | 330041-22 | PIN | 1 |
| 174 | 325905-00 | RETAINER | 1 |
| 175 | 576232-01 | O RING | 1 |
| 176 | 582576-00 | CYLINDER | 1 |
| 177 | 577744-00 | O RING | 1 |
| 180 | 582575-00 | RAM | 1 |
| 181 | 326008-00 | INSERT | 1 |
| 183 | 323763-03 | CIRCLIP | 1 |
| 184 | 1005697-00 | SPINDLE LOCK | 1 |
| 185 | 325880-02 | SHAFT | 1 |
| 186 | 325160-00 | FORK,SELECTOR | 1 |
| 187 | 323395-08 | SPRING | 1 |
| 188 | 323395-09 | SPRING | 2 |
| 189 | 326093-00 | SPACER | 2 |
| 190 | 577731-00 | LINK | 1 |

Parts List for D25830K Type 1

| Item Number | Part Number | Description | Qty Required |
|-------------|-------------|-------------|--------------|
| 191 | 577718-00 | ECCENTRIC | 1 |
| 192 | 323711-07 | SEAL | 1 |
| 193 | 578494-00 | LEVER | 1 |
| 196 | 577711-00 | HANDLE | 1 |
| 197 | 577735-00 | LENS | 1 |
| 205 | 585379-01 | COVER,GEAR | 1 |
| 205 | 577710-01 | COVER | 1 |
| 206 | 323711-22 | RING,O | 1 |
| 207 | 487229-00 | FILTER | 1 |
| 207 | 581578-00 | FILTER | 1 |
| 208 | 491348-01 | COVER | 1 |
| 251 | 326555-00 | COLLAR | 1 |
| 252 | 326552-00 | BUSHING | 1 |
| 253 | 326775-00 | PIN | 1 |
| 254 | 327146-00 | HANDLE,SIDE | 1 |
| 255 | 323753-18 | WASHER | 1 |
| 256 | 327351-00 | KNOB | 1 |
| 261 | 323753-11 | WASHER | 2 |
| 262 | 577744-05 | O RING | 1 |
| 263 | 323753-14 | WASHER | 1 |
| 264 | 323395-07 | SPRING | 1 |
| 265 | 582432-01 | BEAT PIECE | 1 |
| 266 | 577484-00 | SEAL | 1 |
| 267 | 582381-00 | WASHER | 1 |
| 268 | 577744-02 | O RING | 1 |
| 269 | 323753-16 | WASHER | 1 |
| 270 | 577744-01 | O RING | 1 |

Parts List for D25830K Type 1

| Item Number | Part Number | Description | Qty Required |
|-------------|-------------|------------------|--------------|
| 271 | 326044-01 | CAP | 1 |
| 272 | 493133-00 | SPINDLE ASSEMBLY | 1 |
| 273 | 325878-00 | ROLLER | 2 |
| 274 | 329816-00 | LIP SEAL | 1 |
| 275 | 326575-01 | COLLAR | 1 |
| 276 | 479247-00 | SLEEVE ASSY | 1 |
| 277 | 479247-00 | SLEEVE ASSY | 1 |
| 278 | 479247-00 | SLEEVE ASSY | 1 |
| 279 | 323395-06 | SPRING | 1 |
| 280 | 325929-00 | WASHER,HALF | 2 |
| 281 | 487118-00 | SPRING | 1 |
| 282 | 325930-00 | GUIDE,SPRING | 1 |
| 283 | 327141-00 | SEAL,LIP | 1 |
| 284 | 578489-00 | CASTING | 1 |
| 285 | 577727-01 | GASKET | 1 |
| 286 | 588560-00 | SPINDLE LOCK | 1 |
| 287 | 323763-04 | RING | 1 |
| 288 | 327208-00 | GUIDE | 1 |
| 290 | 578493-00 | END CAP | 1 |
| 293 | 323711-27 | O RING | 1 |
| 294 | 323711-28 | RING,O | 1 |
| 317 | 577746-00 | RING | 1 |
| 318 | 577708-01 | COVER, TOP | 1 |
| 319 | 577709-00 | HOUSING, LOWER | 1 |
| 320 | 330065-08 | SCREW | 2 |
| 322 | 326619-00 | SCREW | 1 |
| 800 | 328771-07 | GREASE | 1 |

Parts List for D25830K Type 1

| Item Number | Part Number | Description | Qty Required |
|-------------|-------------|---------------------|--------------|
| 800 | 328771-07 | GREASE | 1 |
| 821 | 000000-00 | No Longer Available | 1 |
| 836 | 559631-99 | SERVICE TOOL | 1 |
| 846 | 589301-01 | SERVICE KIT | 1 |
| 861 | 381297-78 | KIT BOX | 1 |